



MAZDA

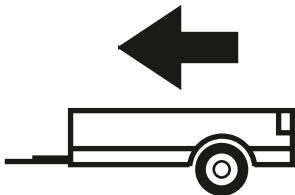
6 GJ, GL
salon, combi

02/2013 -

Cat. No.: X/A25

E20

55R01/08*004419*01



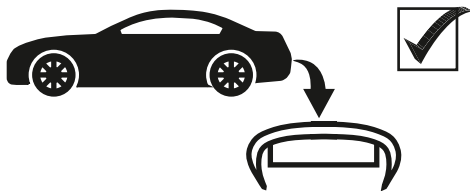
1 800kg



75kg

D = 10,10kN

$$D \text{ (kN)} = \frac{\text{MAX kg} \times \text{MAX kg}}{\text{MAX kg} + \text{MAX kg}} \times 0,00981$$

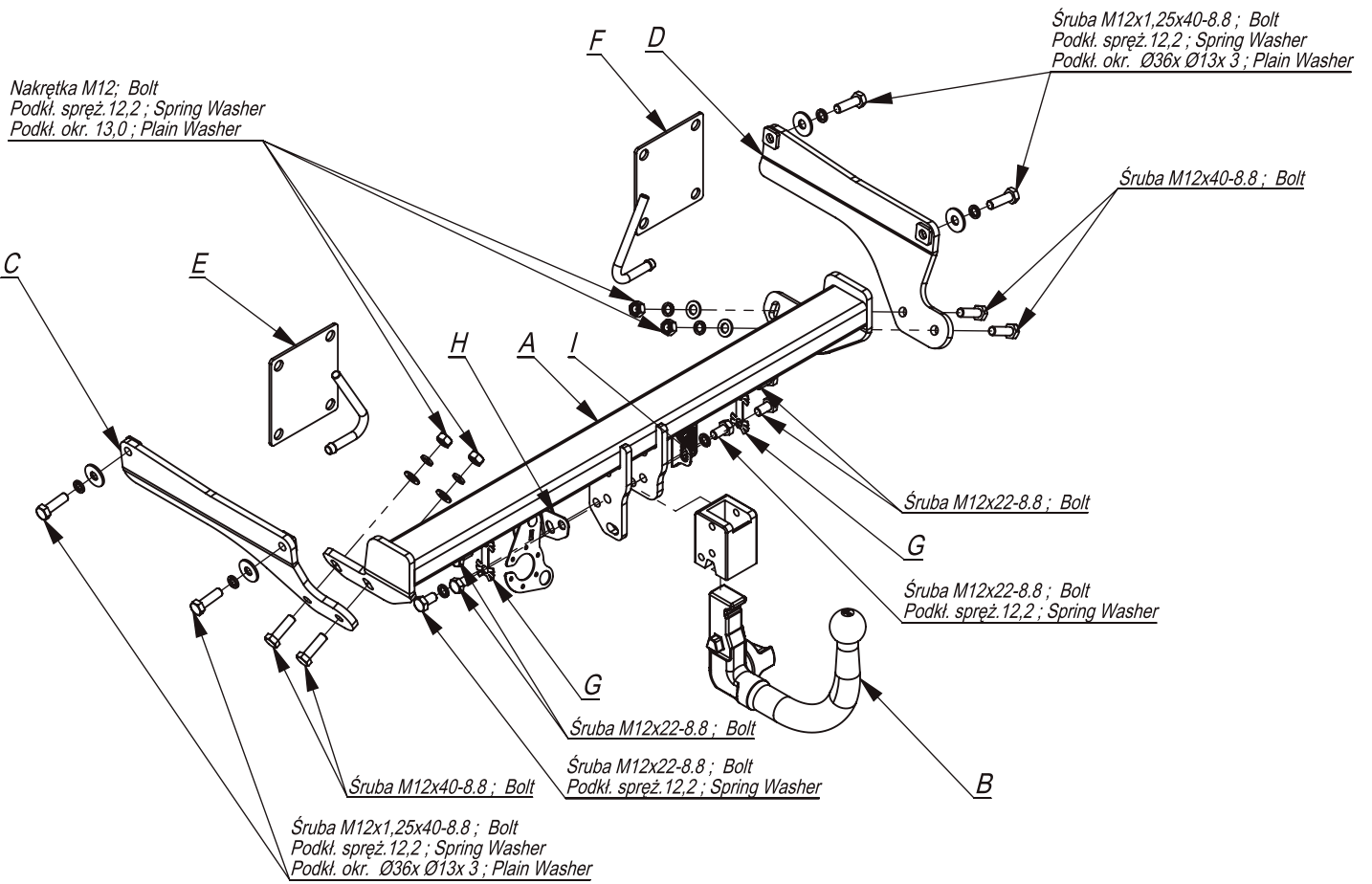


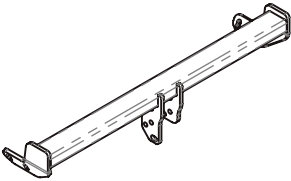

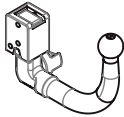











IMIOLA HAK-POL

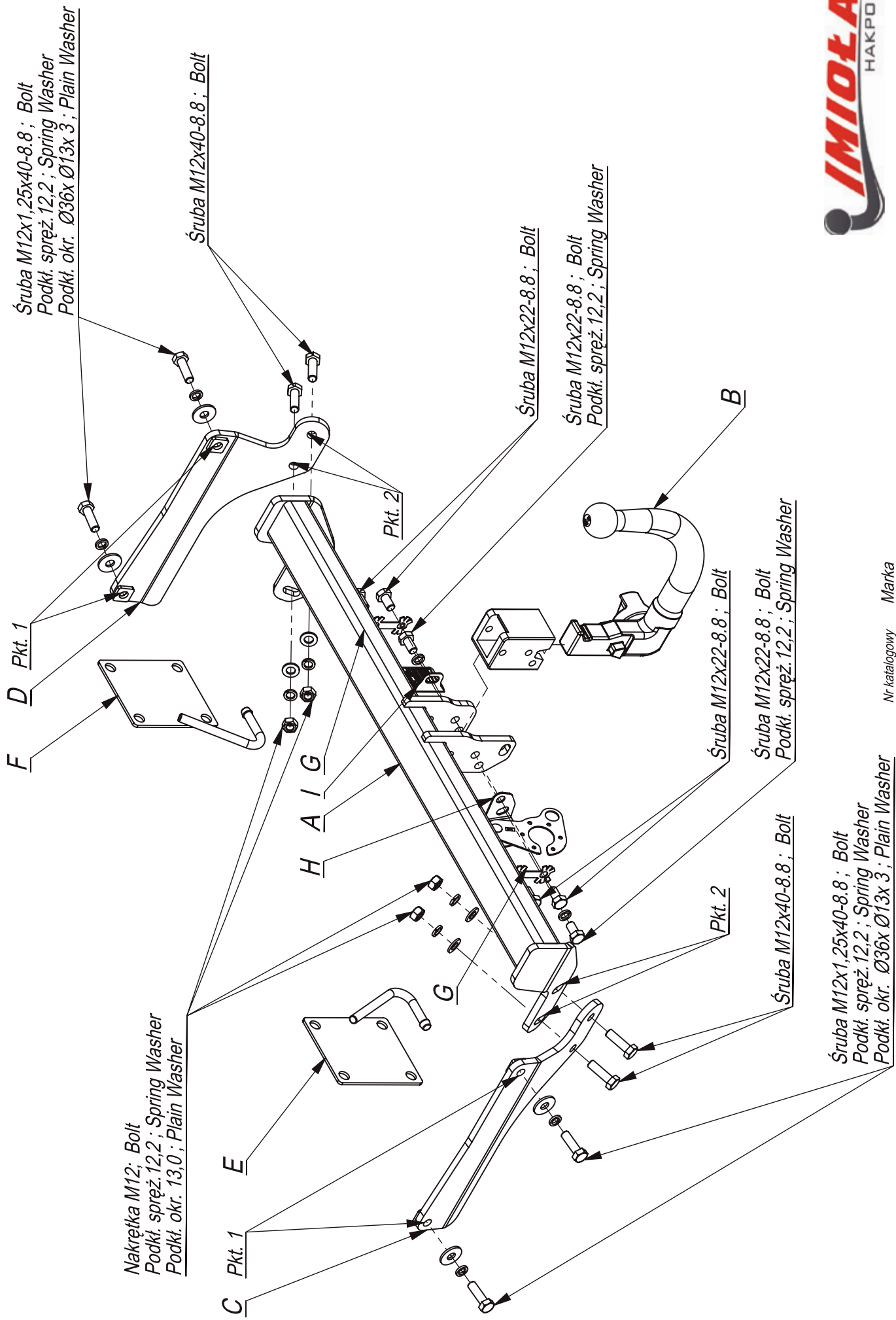
96-111 KOWIESY, CHOJNATA 23A, POLAND

tel. +48 46 831 73 31, fax +48 831 74 29

e-mail: office@imiola.pl, www.imiola.pl

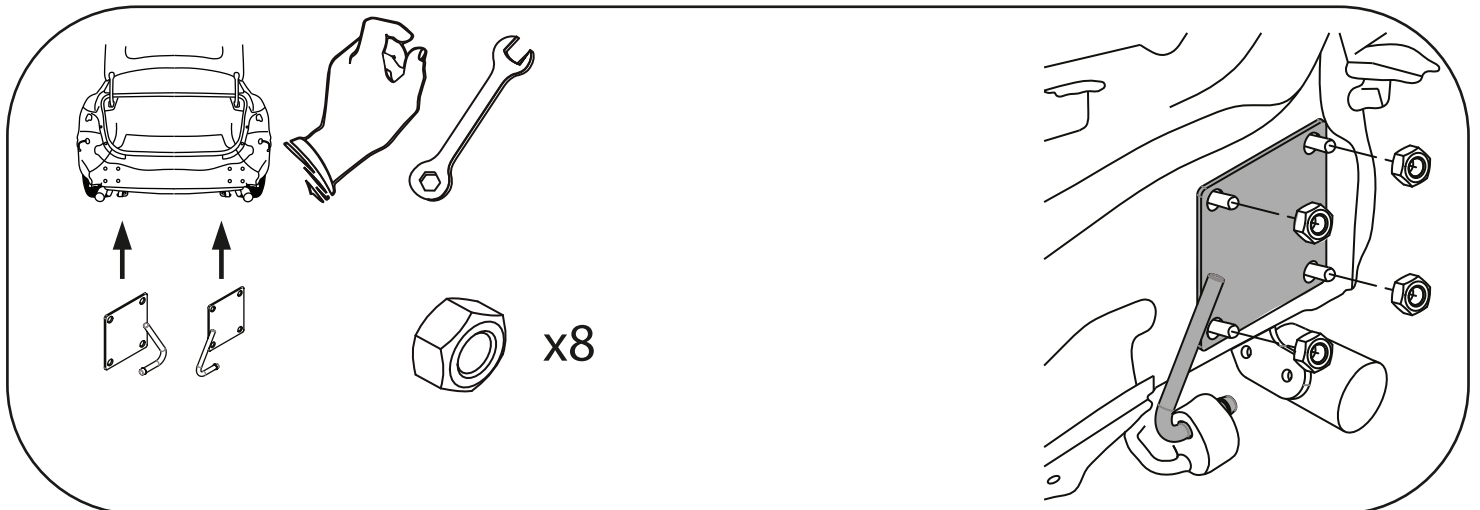
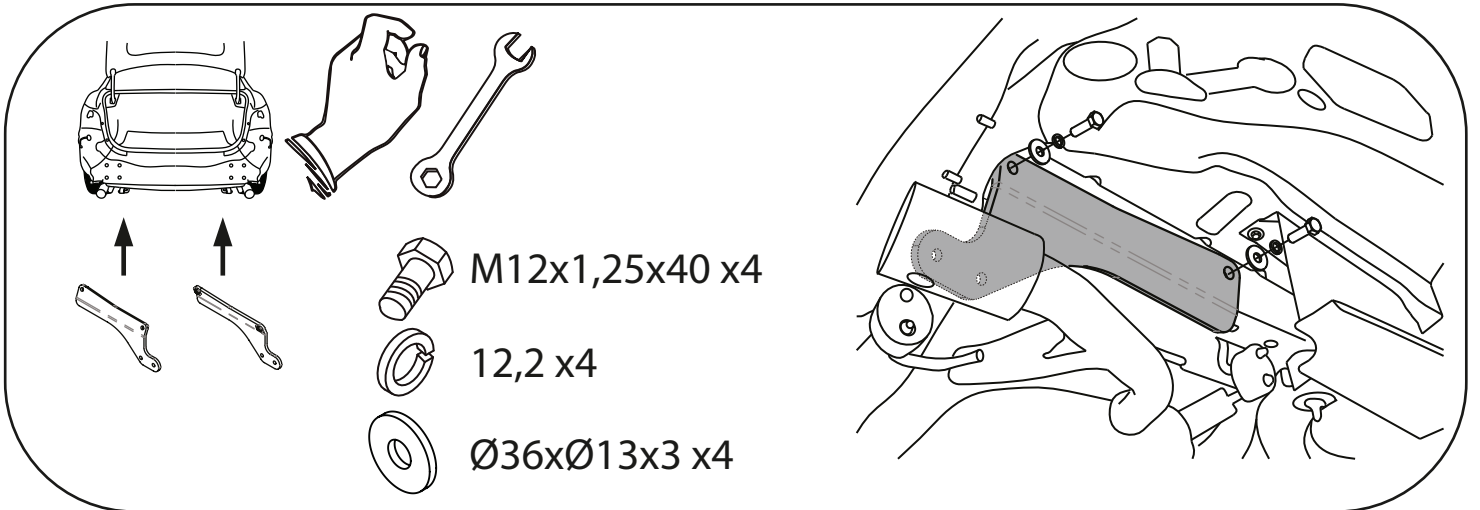
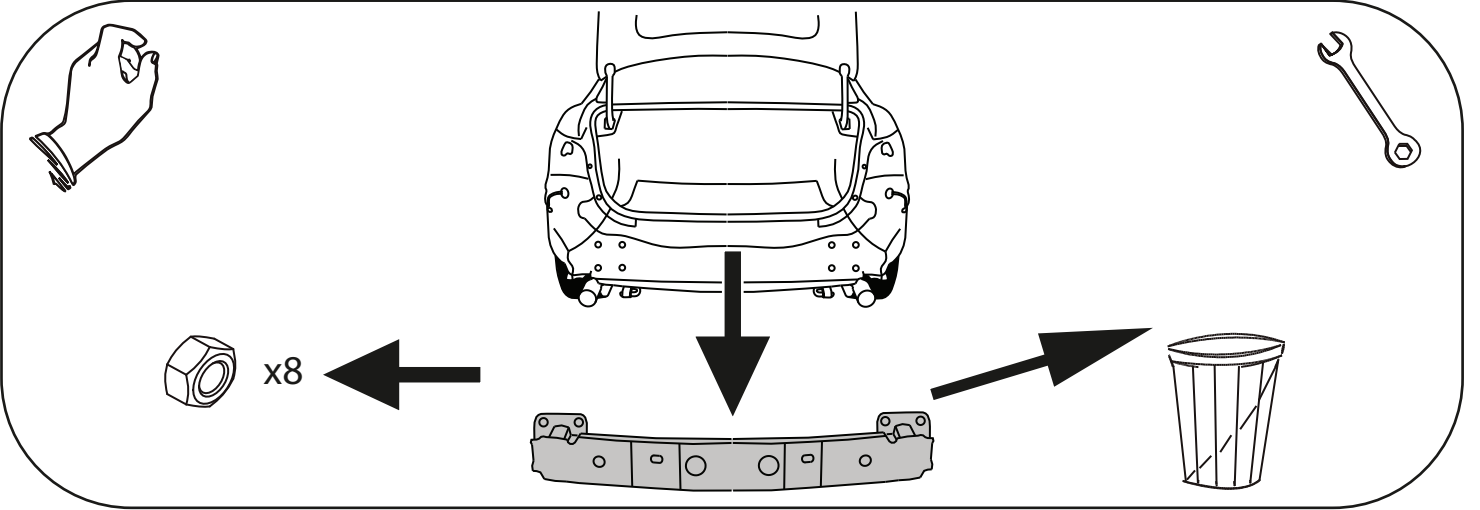
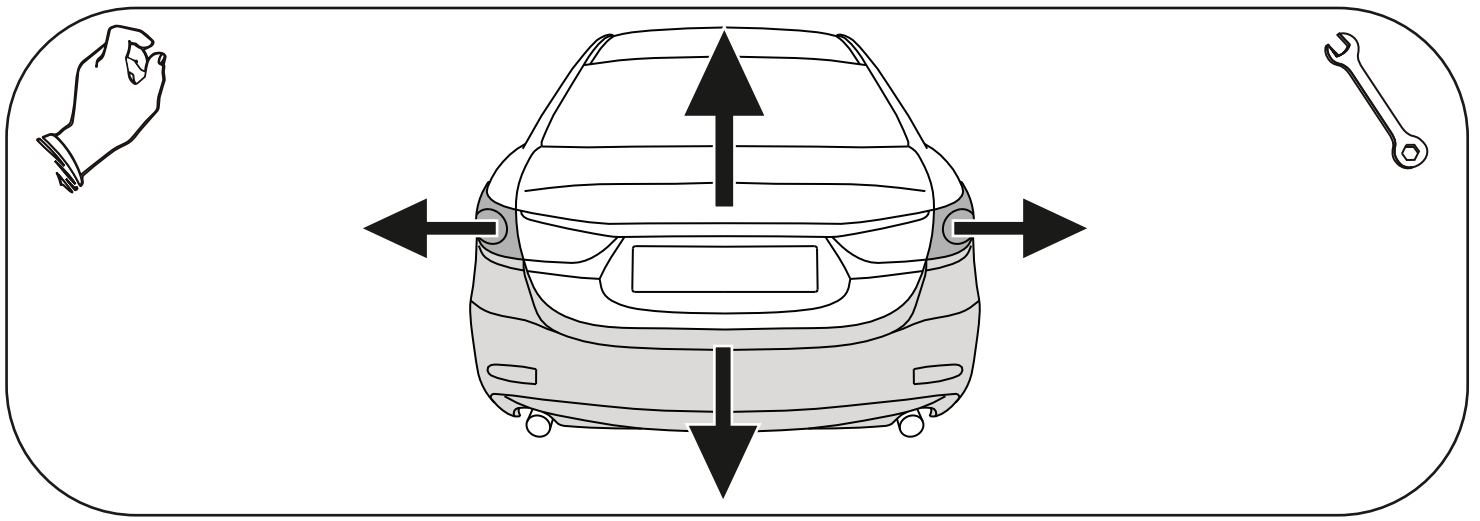


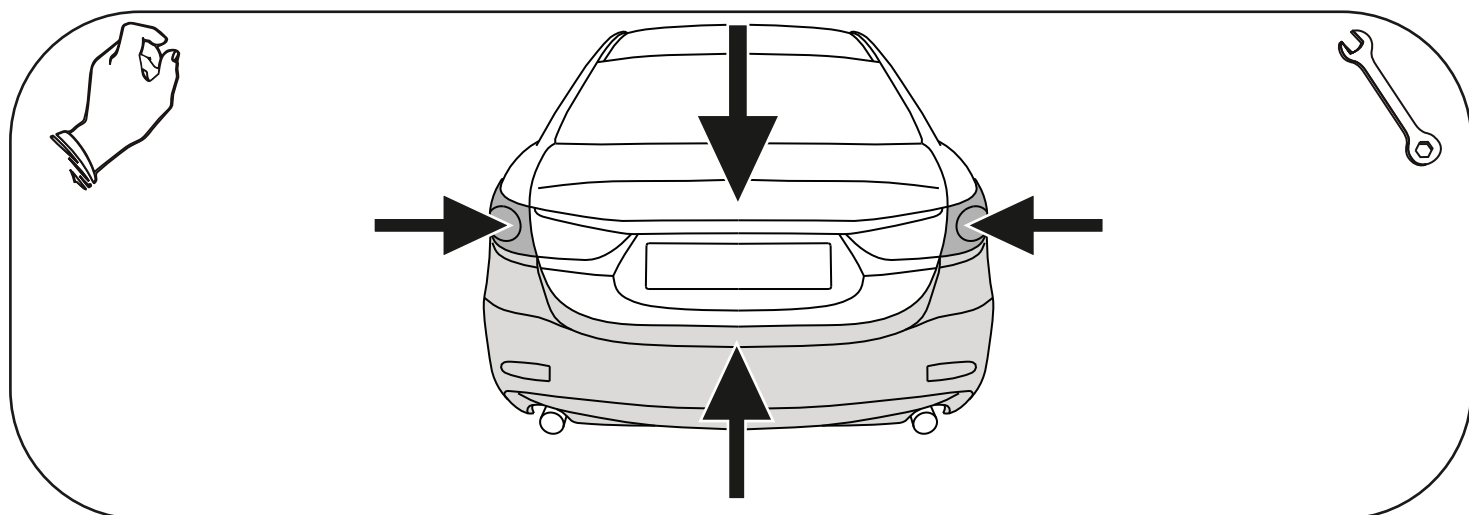
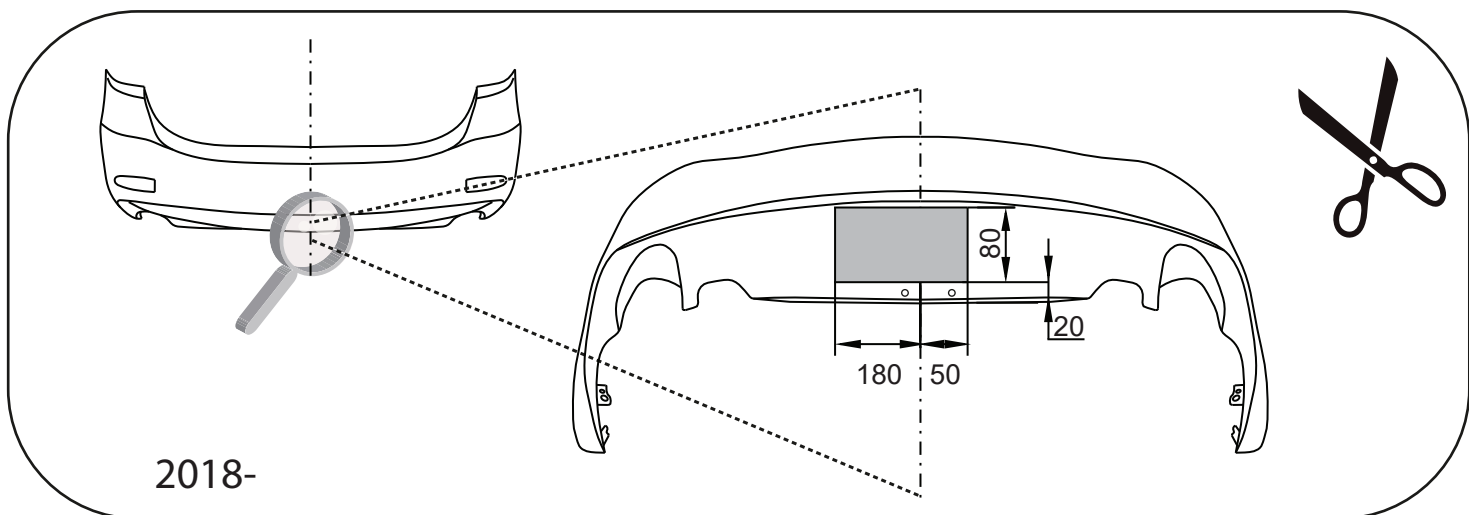
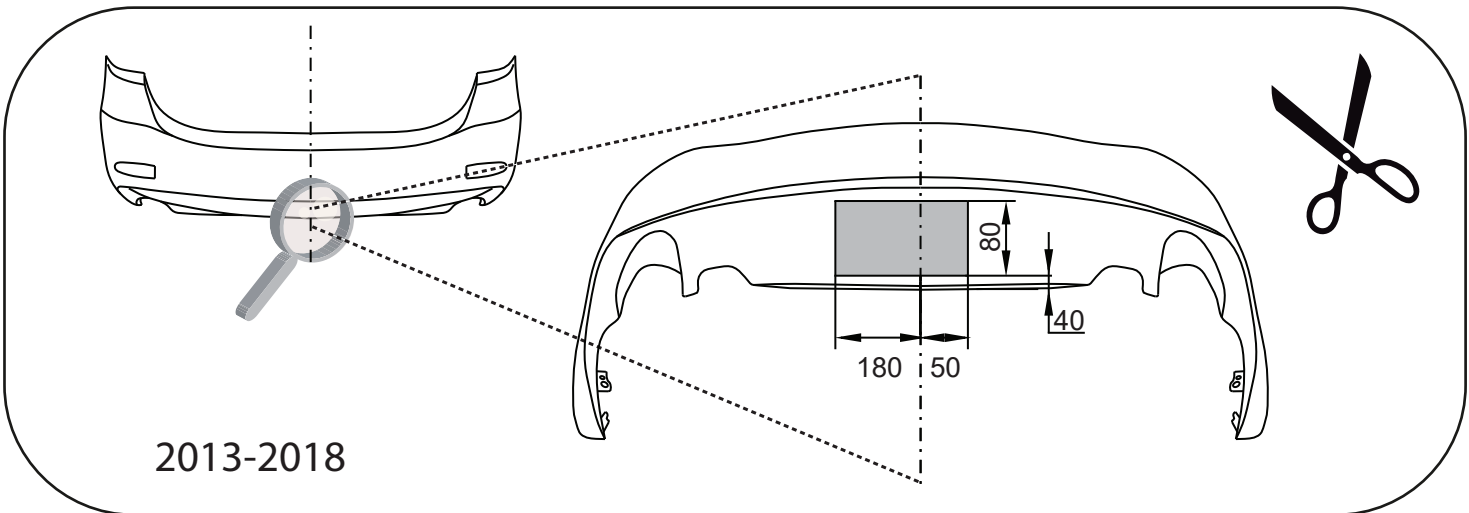
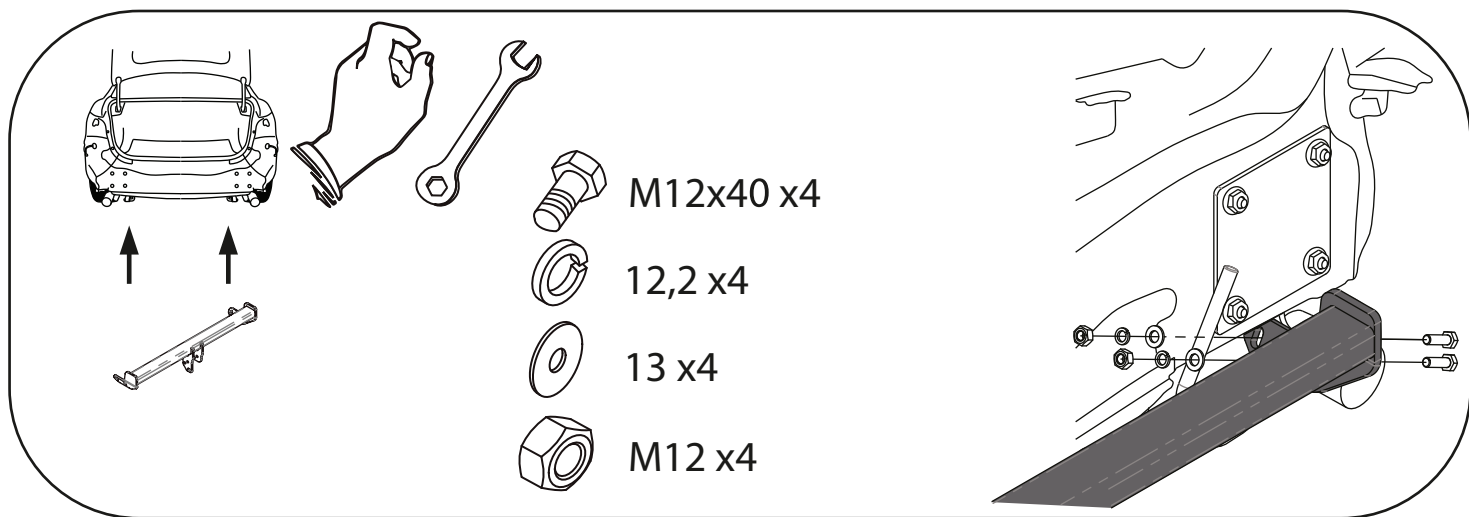
| | | | | | |
|---|---|----|--|-------------|----|
|  | A | x1 |  | M12x22 | 6 |
| | | | | M12x1,25x40 | 4 |
| | | | | M12x40 | 4 |
|  | B | x1 |  | M12 | 4 |
|  | C | x1 |  | Ø36xØ13x3 | 4 |
|  | D | x1 |  | 13 | 4 |
|  | E | x1 |  | 12,2 | 10 |
|  | F | x1 | | | |
|  | G | x2 | | | |
|  | H | x1 | | | |
|  | I | x1 | | | |

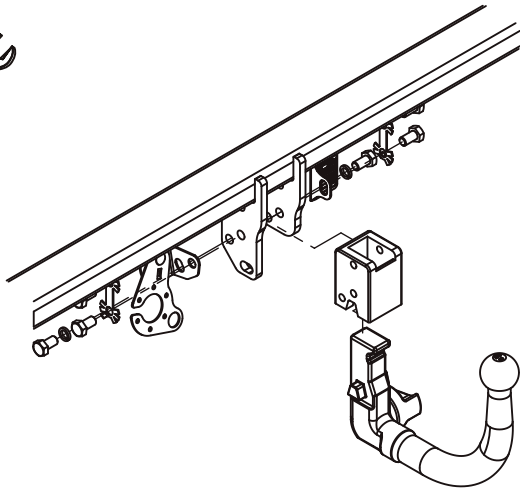
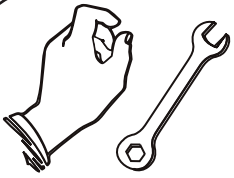


96-111 Kowiesy, Chojnata 23 A
tel. +48 46 831 73 31

Nr katalogowy X/A25
 Marka Mazda 6 GJ (Saloon, Estate) od 02/2013 ->







M12x22 x6



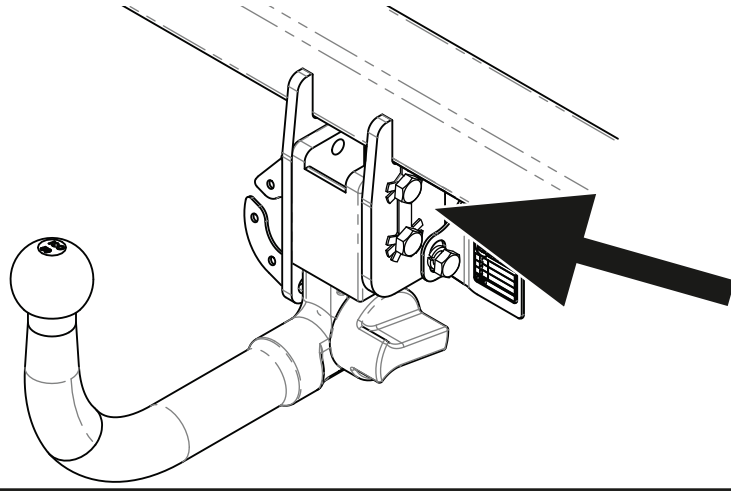
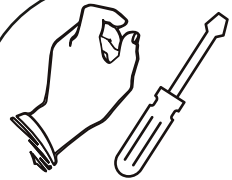
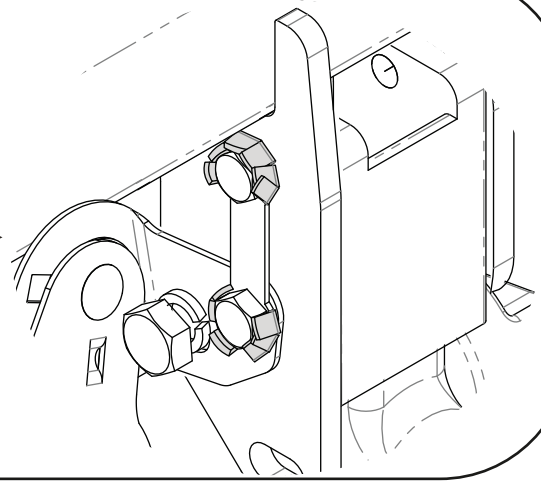
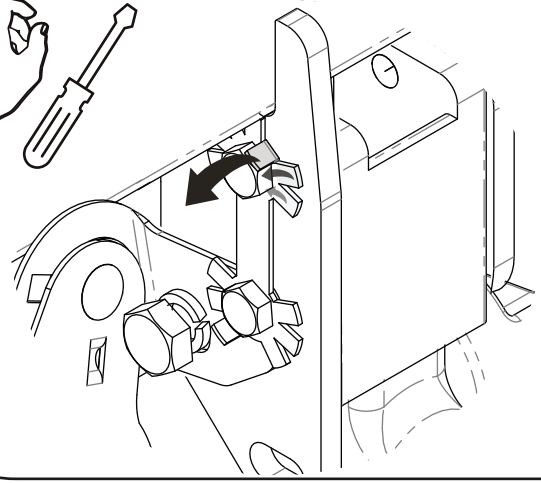
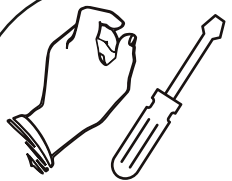
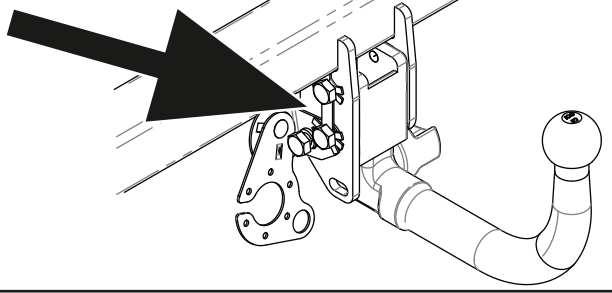
12,2 x2



G x2



!
CRIMP



!
CRIMP

